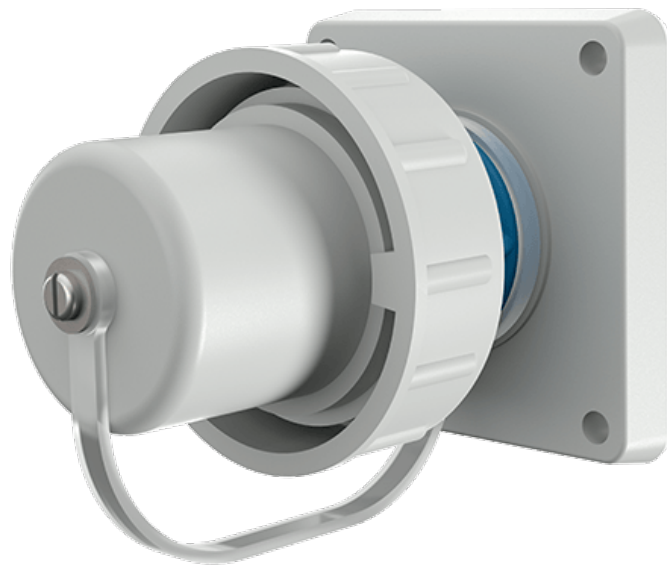


Panel mounted inlet SCHUKO

Part number: 10852



MENNEKES
Elektrotechnik GmbH & Co. KG

Aloys-Mennekes-Straße 1
57399 Kirchhundem
GERMANY

www.MENNEKES.org

Product Description

- screw connection technology
- nickel plated contacts
- external fixing
- with protective cap attached by a strap
- a retaining nose to hold the hinged lid of the connector must be provided by the customer in order to ensure satisfactory locking
- with double PE-conductor acc. to German and French-Belgian standard
- with bayonet ring

Technical Details

Panel mounted inlet SCHUKO	10852
Product serie	SCHUKO
Ampere	16A
Number of poles	2p+PE
Nominal voltage AC	230V
Protection type IP	IP68
Contact carrier	nickel plated contacts
Connection	screw terminals
Tightening torque connection terminal	PZ2, slot
Phase inverter	without phase inverter
Pilot contact	without pilot contact
Flange dimensions	75 x 75 mm
Hole spacings	60 x 60 mm
Insertion direction	straight
Type of mounting	external fixing
Military version	no
Protection cap	with protection cap
Recommended wire end treatment for supply cable connection terminal	ferrule square gasproof crimped
Conductor cross-section max.	2.5 mm ²
Weight (net)	138 g
Packaging unit	10 Stück
Quantity per pallet	880 Stück

Panel mounted inlet SCHUKO	10852
EAN / identification number	4015394035640

Permissible ambient conditions		
	Min.	Max.
Permanent ambient temperature	-5 °C	40 °C
Average temperature over 24 hours		35 °C

Material properties	
Housing	PA6 blue [similar RAL 5007]
Flange	PC light grey [similar RAL 7035]
Protective cap	PC light grey [similar RAL 7035]
Bayonet ring	PC light grey [similar RAL 7035]

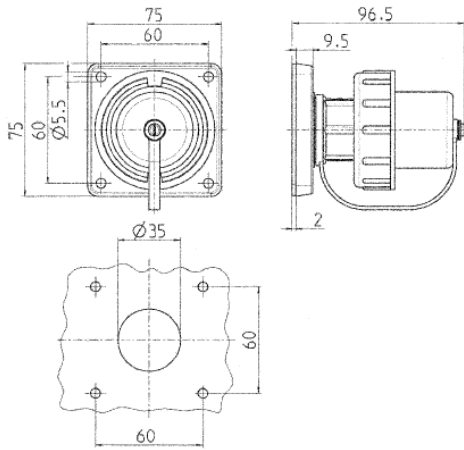
Material resistance

The material resistance overview can be found on the website in the section “Knowledge” - “Product knowledge” - “Materials”.

Material and enviromental properties	
RoHS 2011/65/EU incl. 2015/863/EU	✓
POP regulation (EU) 2019/1021	✓

Regulations and Standards	
Norm	DIN VDE 0620-2-1
Declaration of Conformity	CE
Test label	EAC, VDE

Dimensional Drawing



Drawing
2 MB 164

Dim. in mm